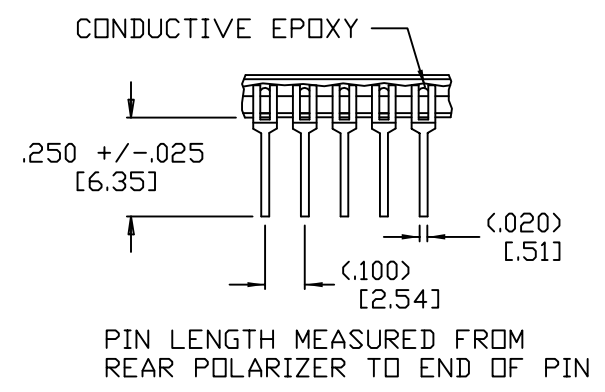
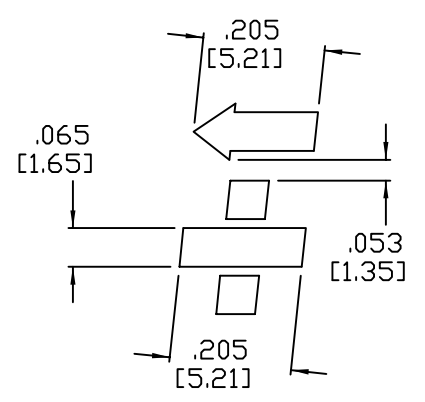
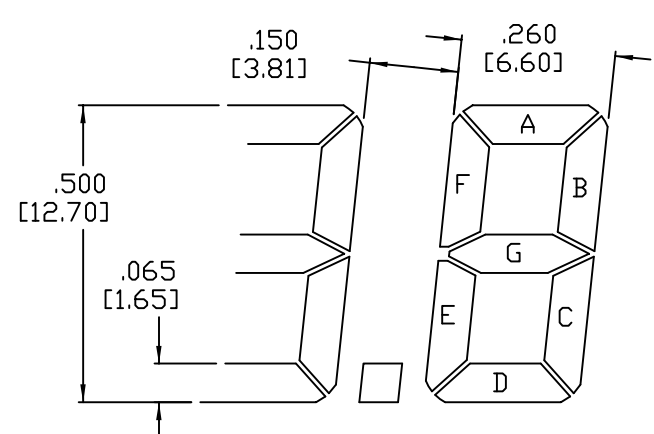


PIN#	SEGMENT	PIN#	SEGMENT
1	BP	40	BP
2	Y	39	X
3	4B,4C	38	Z
4	NC	37	NC
5	NC	36	NC
6	NC	35	NC
7	NC	34	NC
8	DP3	33	NC
9	3E	32	3G
10	3D	31	3F
11	3C	30	3A
12	DP2	29	3B
13	2E	28	:
14	2D	27	2G
15	2C	26	2F
16	DP1	25	2A
17	1E	24	2B
18	1D	23	1G
19	1C	22	1F
20	1B	21	1A



INFORMATION CONTAINED HEREIN IS PROPRIETARY TO LXD, INC. AND MAY NOT BE USED OR DISCLOSED WITHOUT THE PERMISSION OF LXD, INC.	7650 FIRST PLACE CLEVELAND, OHIO 44146-6713 (440) 786-8700	CUSTOMER		LXD	
		PART NUMBER		H0043A	
DO NOT SCALE UNLESS OTHERWISE SPECIFIED: DIMENSIONS ARE IN INCHES [MM] DECIMAL TOL: +/- .010 ANGULAR TOL: +/- 1°	FLUID	VIEWING MODE		DRAWING	2396
	SCALE	POLARIZER TYPE		REV	
	2:1	VIEWING DIRECTION		DRAWN	LJD
		DATE	03/25/05	SHEET	1 OF 1

REV	DESCRIPTION	DATE	BY
	REVISIONS		