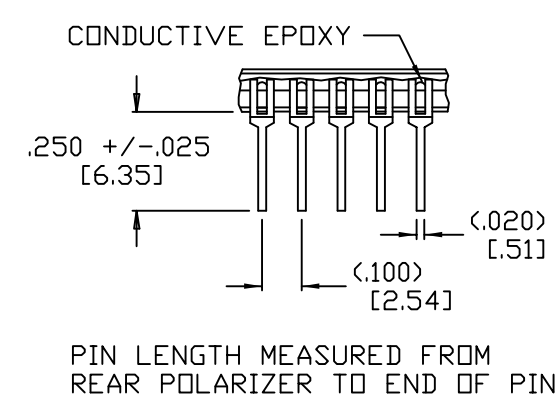
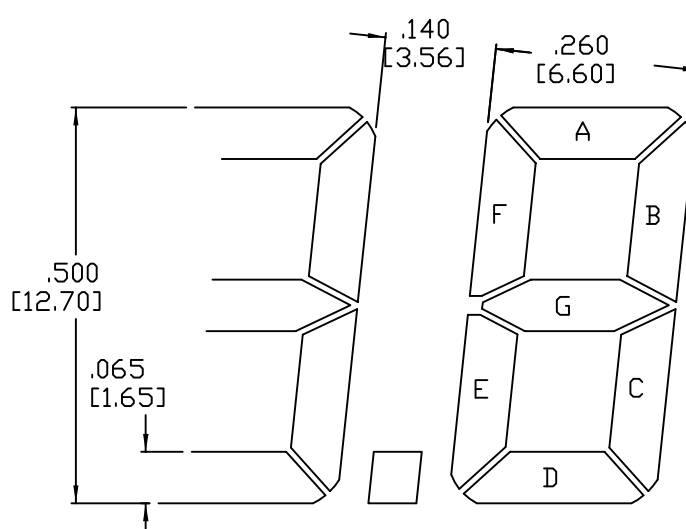


PIN	FUNCT	PIN	FUNCT
1	BP	50	6G
2	6E	49	6F
3	6D	48	6A
4	6C	47	6B
5	DP5	46	5G
6	5E	45	5F
7	5D	44	5A
8	5C	43	5B
9	DP4	42	COLON2
10	4E	41	4G
11	4D	30	4F
12	4C	39	4A
13	DP3	38	4B
14	3E	37	3G
15	3D	36	3F
16	3C	35	3A
17	DP2	34	3B
18	2E	33	COLON1
19	2D	32	2G
20	2C	31	2F
21	DP1	30	2A
22	1E	29	2B
23	1D	28	1G
24	1C	27	1F
25	1B	26	1A



INFORMATION CONTAINED HEREIN IS PROPRIETARY TO LX D, INC. AND MAY NOT BE USED OR DISCLOSED WITHOUT THE PERMISSION OF LX D, INC.	7650 FIRST PLACE CLEVELAND, OHIO 44146-6713 (440) 786-8700	CUSTOMER		LXD	
		PART NUMBER		H0060A	
DO NOT SCALE UNLESS OTHERWISE SPECIFIED: DIMENSIONS ARE IN INCHES [MM] DECIMAL TOL: +/- .010 ANGULAR TOL: +/- 1°	FLUID	VIEWING MODE		DRAWING	2386
	SCALE	POLARIZER TYPE		REV	
	2:1	VIEWING DIRECTION		DRAWN	LJD
		DATE	02/22/05	SHEET	1 OF 1

REV	DESCRIPTION	DATE	BY
	REVISIONS		