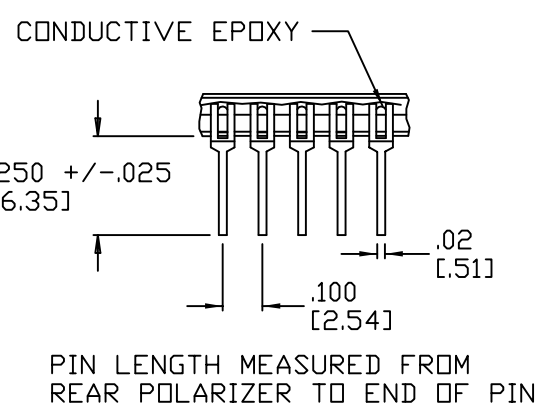


PAD#	BP1	BP2	PAD#	BP1	BP2
1	BP1	---	44	---	BP2
2	BAR2	---	43	---	BAR43
3	BAR3	---	42	---	BAR42
4	BAR4	---	41	---	BAR41
5	BAR5	---	40	---	BAR40
6	BAR6	---	39	---	BAR39
7	BAR7	---	38	---	BAR38
8	BAR8	---	37	---	BAR37
9	BAR9	---	36	---	BAR36
10	BAR10	---	35	---	BAR35
11	BAR11	---	34	---	BAR34
12	BAR12	---	33	---	BAR33
13	BAR13	---	32	---	BAR32
14	BAR14	---	31	---	BAR31
15	BAR15	---	30	---	BAR30
16	BAR16	---	29	---	BAR29
17	BAR17	---	28	---	BAR28
18	BAR18	---	27	---	BAR27
19	BAR19	---	26	---	BAR26
20	BAR20	---	25	---	BAR25
21	BAR21	---	24	---	BAR24
22	BP1	---	23	---	BP2

NOTE: BP1 AND BP2 ARE NOT INTERNALLY CONNECTED.



PIN LENGTH MEASURED FROM REAR POLARIZER TO END OF PIN

INFORMATION CONTAINED HEREIN IS PROPRIETARY TO LXD, INC. AND MAY NOT BE USED OR DISCLOSED WITHOUT THE PERMISSION OF LXD, INC.	7650 FIRST PLACE CLEVELAND, OHIO 44146-6713 (440) 786-8700	CUSTOMER		LXD	
		PART NUMBER		H0091A	
DO NOT SCALE UNLESS OTHERWISE SPECIFIED: DIMENSIONS ARE IN INCHES [MM] DECIMAL TOL: +/- .010 ANGULAR TOL: +/- 1°	FLUID	VIEWING MODE		DRAWING	
	SCALE	POLARIZER TYPE		2354	
	2:1	VIEWING DIRECTION		DRAWN	DATE
		LCD	12/17/04	SHEET 1 OF 1	

REV	DESCRIPTION	DATE	BY
B	CHANGE VIEW ANGLE TO 1:30; REVISE NOTES	02/03/05	LJD
A	CHANGE VIEW ANGLE; REVISE NOTES	01/11/05	LJD
REVISIONS			