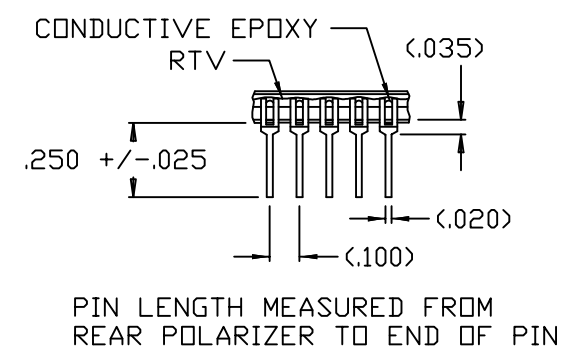
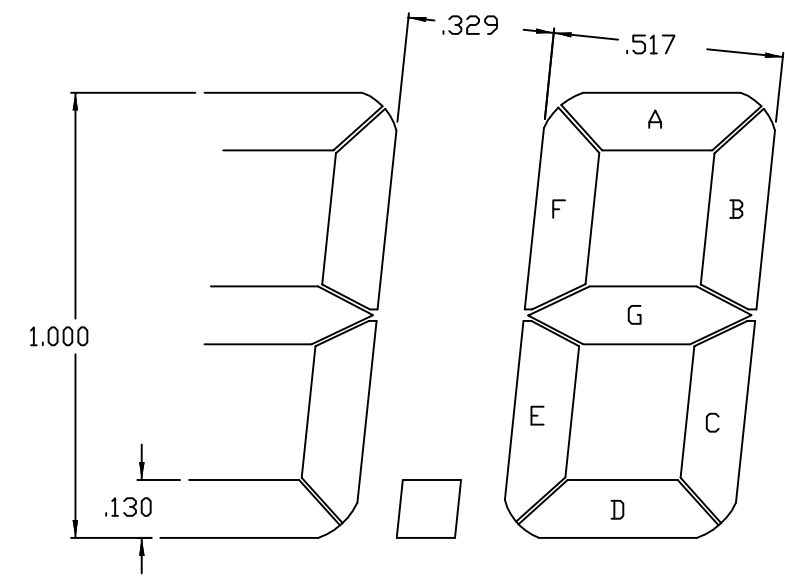


PIN	FUNCT	PIN	FUNCT
1	BP	70	BP
2	6E	69	6G
3	6D	68	6F
4	6C	67	6A
5	DP5	66	6B
6	5E	65	5G
7	5D	64	5F
8	5C	63	5A
9	DP4	62	5B
10	4E	61	COLON2
11	4D	60	4G
12	---	59	4F
13	---	58	4A
14	---	57	---
15	---	56	---
16	4C	55	4B
17	---	54	---
18	DP3	53	---
19	3E	52	3G
20	3D	51	3F
21	---	50	3A
22	---	49	---
23	---	48	---
24	3C	47	---
25	---	46	3B
26	DP2	45	---
27	2E	44	COLON1
28	2D	43	2G
29	---	42	2F
30	---	41	2A
31	2C	40	2B
32	DP1	39	1G
33	1E	38	1F
34	1D	37	1A
35	1C	36	1B



INFORMATION CONTAINED HEREIN IS PROPRIETARY TO LXD, INC. AND MAY NOT BE USED OR DISCLOSED WITHOUT THE PERMISSION OF LXD, INC.

LXD 7650 FIRST PLACE
CLEVELAND, OHIO
44146-6713
(440) 786-8700

CUSTOMER **LXD**

PART NUMBER **H4048A**

DO NOT SCALE
UNLESS OTHERWISE SPECIFIED:
DIMENSIONS ARE IN INCHES
DECIMAL TOL: +/- .010
ANGULAR TOL: +/- 1°

FLUID
SCALE 1.5:1
VIEWING MODE
POLARIZER TYPE
VIEWING DIRECTION

DRAWING **2219** REV
DRAWN LJO DATE 10/24/03 SHEET 1 OF 1

REV	DESCRIPTION	DATE	BY
REVISIONS			