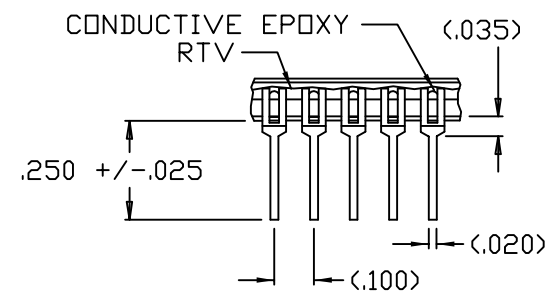
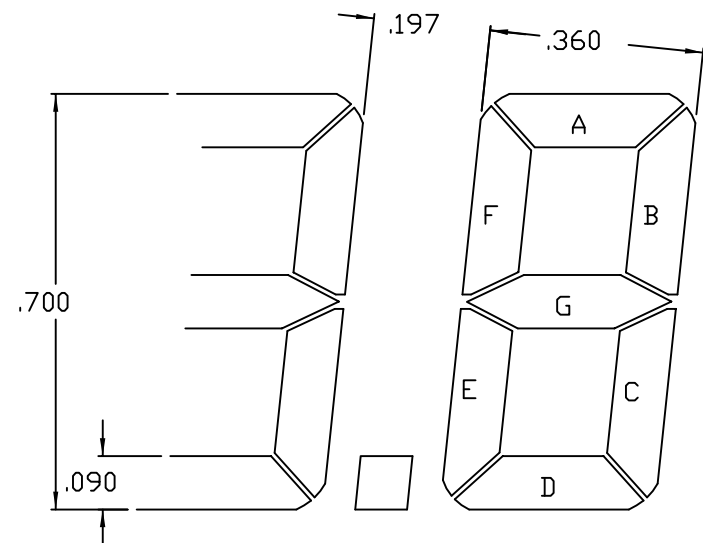


PIN	FUNCT	PIN	FUNCT
1	BP	50	6G
2	6E	49	6F
3	6D	48	6A
4	6C	47	6B
5	DP5	46	5G
6	5E	45	5F
7	5D	44	5A
8	5C	43	5B
9	DP4	42	COLON2
10	4E	41	4G
11	4D	30	4F
12	4C	39	4A
13	DP3	38	4B
14	3E	37	3G
15	3D	36	3F
16	3C	35	3A
17	DP2	34	3B
18	2E	33	COLON1
19	2D	32	2G
20	2C	31	2F
21	DP1	30	2A
22	1E	29	2B
23	1D	28	1G
24	1C	27	1F
25	1B	26	1A



PIN LENGTH MEASURED FROM REAR POLARIZER TO END OF PIN



INFORMATION CONTAINED HEREIN IS PROPRIETARY TO LXI, INC. AND MAY NOT BE USED OR DISCLOSED WITHOUT THE PERMISSION OF LXI, INC.



7650 FIRST PLACE  
CLEVELAND, OHIO  
44146-6713  
(440) 786-8700

CUSTOMER

LXI

PART NUMBER

H4059

DO NOT SCALE

UNLESS OTHERWISE SPECIFIED:  
DIMENSIONS ARE IN INCHES  
DECIMAL TOL: +/- .010  
ANGULAR TOL: +/- 1°

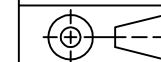
FLUID

VIEWING MODE

SCALE

2:1

POLARIZER TYPE



VIEWING DIRECTION

DRAWING

2243

REV

DRAWN

LJD

DATE

01/07/04

SHEET

1 OF 1

REV

DESCRIPTION

DATE

BY

REVISIONS