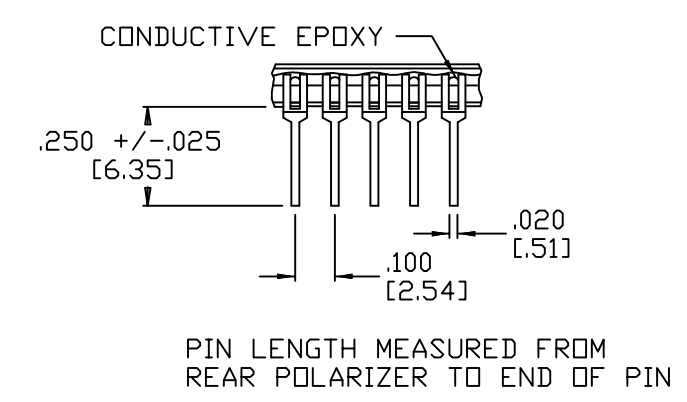
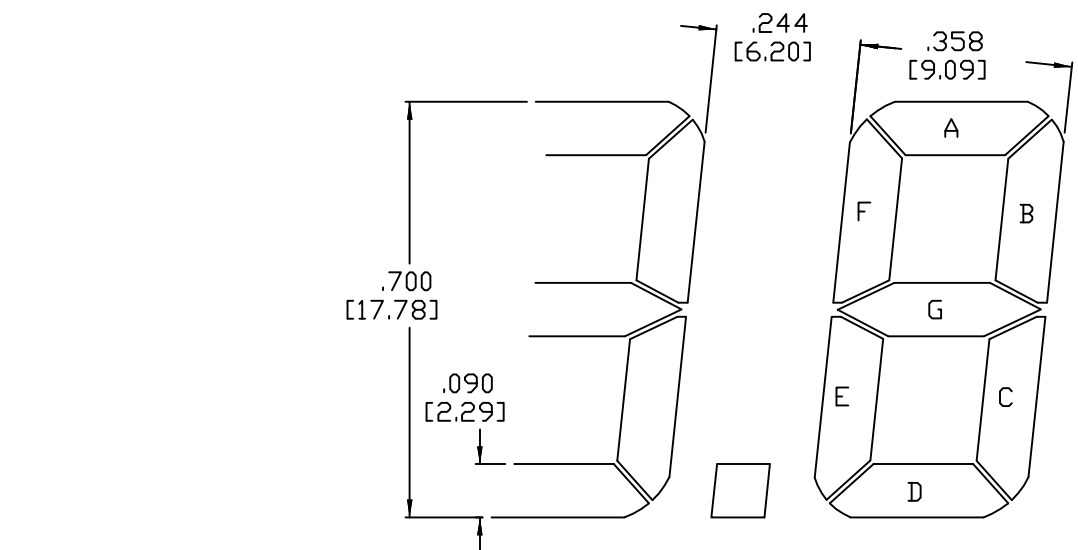


PIN	FUNCT	PIN	FUNCT
1	BP	40	BP
2	---	39	---
3	---	38	---
4	---	37	4G
5	4E	36	4F
6	4D	35	4A
7	4C	34	4B
8	DP3	33	---
9	3E	32	3G
10	3D	31	3F
11	3C	30	3A
12	DP2	29	3B
13	2E	28	COLON
14	2D	27	2G
15	2C	26	2F
16	DP1	25	2A
17	1E	24	2B
18	1D	23	1G
19	1C	22	1F
20	1B	21	1A



INFORMATION CONTAINED HEREIN IS PROPRIETARY TO LXD, INC. AND MAY NOT BE USED OR DISCLOSED WITHOUT THE PERMISSION OF LXD, INC.

DO NOT SCALE

UNLESS OTHERWISE SPECIFIED:
DIMENSIONS ARE IN INCHES [MM]
DECIMAL TOL: +/- .010
ANGULAR TOL: +/- 1°

LXD 7650 FIRST PLACE
CLEVELAND, OHIO
44146-6713
(440) 786-8700

FLUID	VIEWING MODE
SCALE 2:1	POLARIZER TYPE
	VIEWING DIRECTION

CUSTOMER LXD	
PART NUMBER H4100A	
DRAWING 2340	REV A
DRAWN LJO	DATE 11/29/04
SHEET 1 OF 1	

REV	DESCRIPTION	DATE	BY
A	CORRECT COMMON GLASS ENGLISH DIMENSION FROM 1.400 TO 1.300	02/02/05	LJO