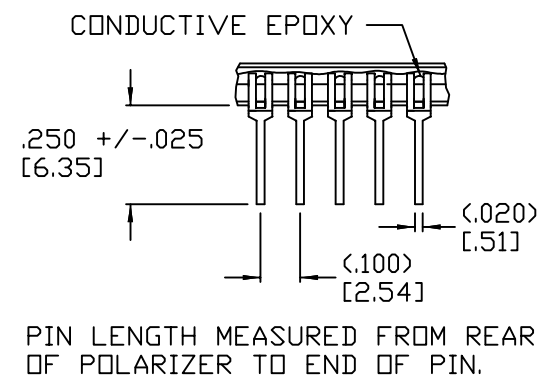
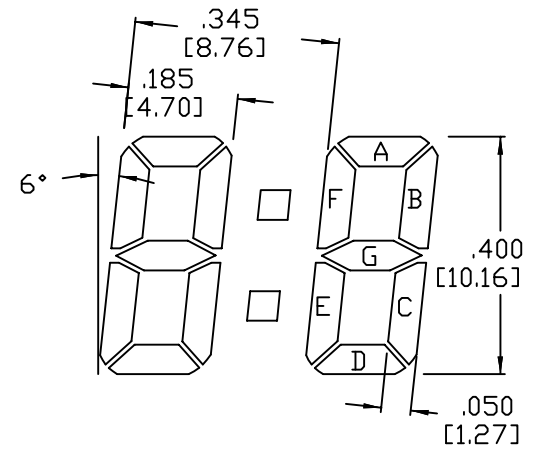


PIN#	SEG	PIN#	SEG
01	BP	40	5F
02	5G	39	5A
03	5E	38	5B
04	5D	37	L2
05	5C	36	4G
06	4E	35	4F
07	4D	34	4A
08	4C	33	4B
09	3E	32	L1
10	3D	31	3G
11	3C	30	3F
12	DP2	29	3A
13	2E	28	3B
14	2D	27	2G
15	2C	26	2F
16	DP1	25	2A
17	1E	24	2B
18	1D	23	1G
19	1C	22	1F
20	1B	21	1A



INFORMATION CONTAINED HEREIN IS PROPRIETARY TO LX D, INC. AND MAY NOT BE USED OR DISCLOSED WITHOUT THE PERMISSION OF LX D, INC.

LXD 7650 FIRST PLACE
CLEVELAND, OHIO
44146-6713
(440) 786-8700

CUSTOMER **LXD**

DO NOT SCALE
UNLESS OTHERWISE SPECIFIED:
DIMENSIONS ARE IN INCHES [MM]
DECIMAL TOL: +/- .010
ANGULAR TOL: +/- 1°

FLUID
SCALE 2:1
VIEWING MODE
POLARIZER TYPE
VIEWING DIRECTION

PART NUMBER **H4110A**

DRAWING **2385** REV

DRAWN LJO DATE 11/16/98 SHEET 1 OF 1

REV	DESCRIPTION	DATE	BY
REVISIONS			