

REVISIONS			
NO.	DATE	BY	DESCRIPTION
1	01/06/18	ACh	NEW RELEASE

PINS ASSIGNMENT

NO.	SYMBOL	NO.	SYMBOL
1	FG	21	K
2	VSS	22	NC
3	VDD	23	SDATA
4	V0	24	CDATA
5	RS	25	M
6	RW	26	CL1
7	E	27	CL2
8-15	DB0-DB7	28	NC
16	/CS	29	VDD
17	/RES	30	VSS
18	VEE	31	V0
19	NC	32	VEE
20	A	33,34	A,K

ABSOLUTE MAXIMUM RATING

ITEM	SYMBOL	MIN	MAX	UNIT
POWER SUPPLY (LOGIC)	VDD-VSS	0	6.5	V
POWER SUPPLY (LCD DRV.)	VDD-V0	0	18.0	V
INPUT VOLTAGE	VI	VI	VDD	V

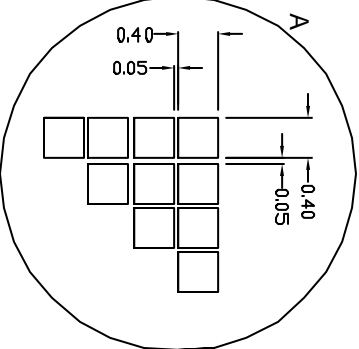
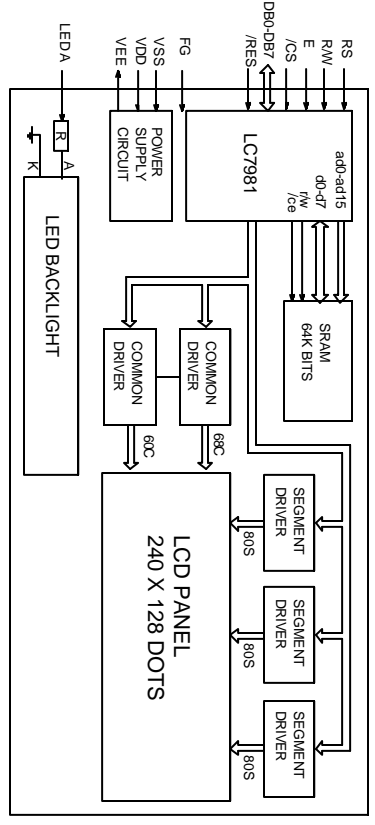
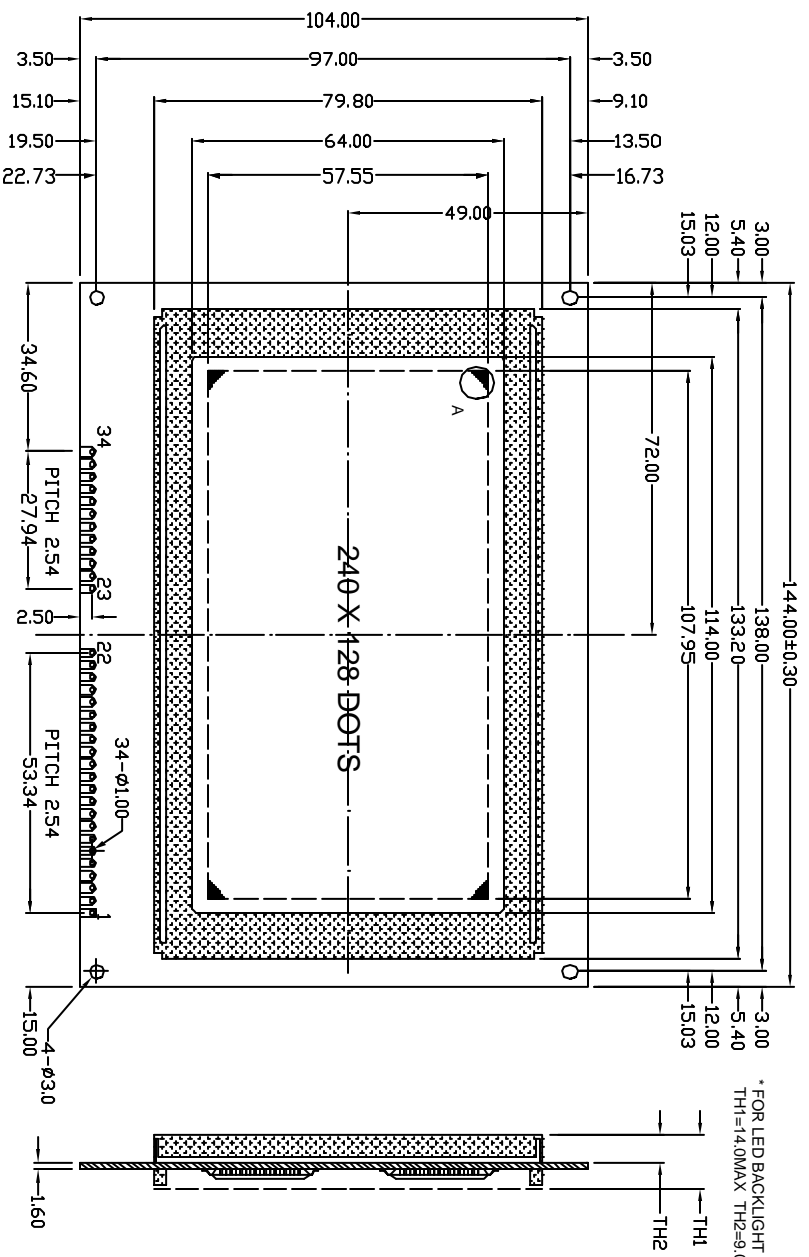
ELECTRICAL CHARACTERISTICS

ITEM	SYMBOL	MIN	TYP	MAX	UNIT
VOLTAGE FOR LOGIC	VDD-VSS	4.75	5.0	5.25	V
SUPPLY CURRENT	IDD	-	12.0	-	mA
LCD OPERATING VOLTAGE	VDD-V0	16.0	16.0	16.0	V
	VDD-V0	15.0	15.0	15.0	V
	VDD-V0	14.0	14.0	14.0	V
INPUT VOLTAGE	VI	VI	0.7VDD	-	V
	VII	0	0.3VDD	-	V

MECHANICAL SPECIFICATIONS

ITEM	SPECIFICATION	UNIT
OVERALL SIZE	144.00W x 104.00H x 14.07T(11.07)	MM
VIEWING ANGLE	133.2°(VW64.0H)	MM
DOT NUMBER	240 x 128	DOTS
DOT SIZE	0.40W x 0.40H	MM
DOT PITCH	0.45W x 0.45H	MM

- NOTES**
- LCD TYPE: GRAY STN. POSITIVE, TRANSPARENT
 - BACKLIGHT: LED ARRAY
 - COLOR OF BACKLIGHT: YELLOW/GREEN
 - TEMPERATURE RANGE: NORMAL (0-50C)
 - POWER SUPPLY: ON BOARD DC/DC (SINGLE 5.0V)
 - VIEWING ANGLE: 6H



M4273

240 X 128 GRAPHIC MODULE

LXD Incorporated
Cleveland, OH

ALL DIMENSIONS ARE IN MM. TOLERANCE IS +/-0.2 UNLESS OTHERWISE NOTED.